



**TS104A2ME-035WBR-R**

### SPECIFICATIONS

**SWITCH ACTION:** PUSH-ON type S.P.S.T

**RATING:** DC 12V,20mA Max.

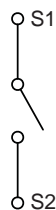
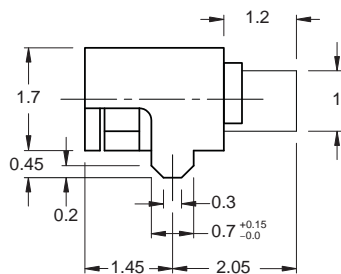
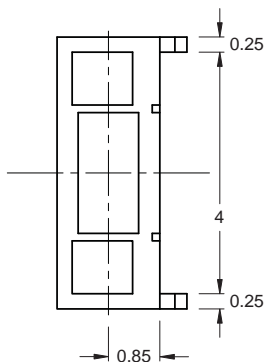
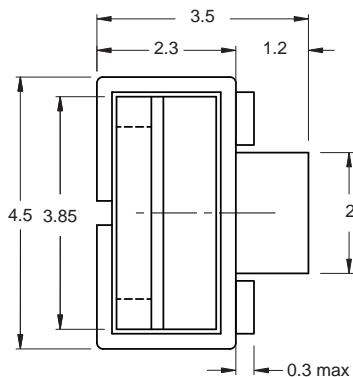
**CLRCUIT:** 1C-1P

**CONTACT RESISTANCE:** 100 mΩ max.

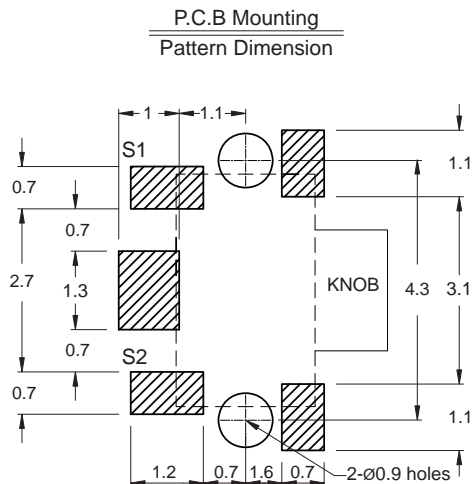
**OPERATING FORCE:** 160 ± 50gf

**OPERATION LIFE:** 100,000 cycles min.

**OPERATION TEMPERATURE RANGE:** -30°C~+80°C



CIRCUIT DIAGRAM



**TS800AH-068BR-B**  
6.0x8.0x8.3H Through Hole

### SPECIFICATIONS

**RATING:** DC 12V 50mA

**TRAVEL:** 0.25 +0.2/-0.1 mm

**CONTACT RESISTANCE:** 100 mΩ MAX.

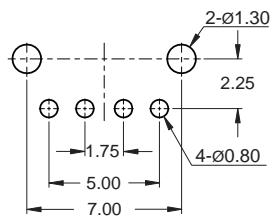
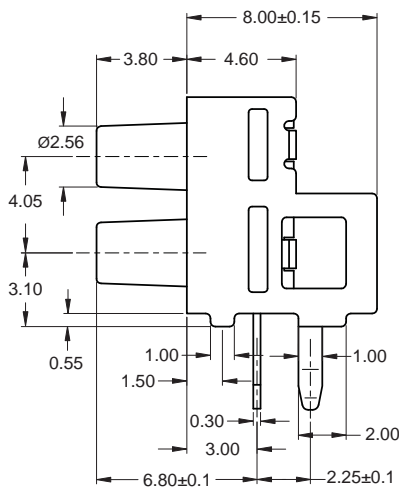
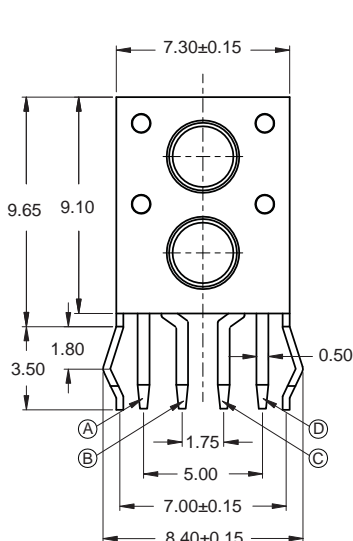
**GENERAL TOLERANCE:** ± 0.2mm

**OPERATION LIFE:** 100,000 cycles min.

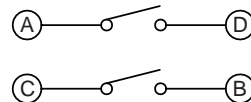
**OPERATION TEMPERATURE RANGE:** -20°C~+70°C

**CONTACT ARRANGEMENT:** 1 poles 1 throws

**Manufacturing specification would be accordance with WT0158**



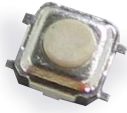
P.C.B LAND DIMENSION



CIRCUIT DIAGRAM

# TS Series

Tact Switches (3.3x3.3x1.5 SMD)



## SPECIFICATIONS

**RATING:** DC 12V 50mA

**CONTACT RESISTANCE:** 100 mΩ MAX.

**CONTACT ARRANGEMENT:** 1 poles 1 throws

**TRAVEL:** 0.20±0.10 mm

**ACTUATING FORCE:** 100±50 gf

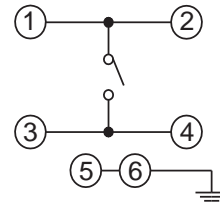
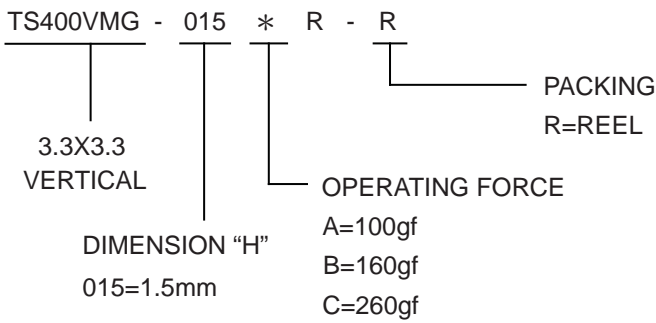
160±50 gf

260±80 gf

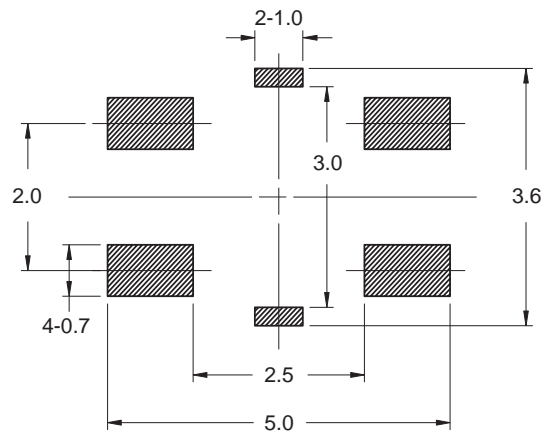
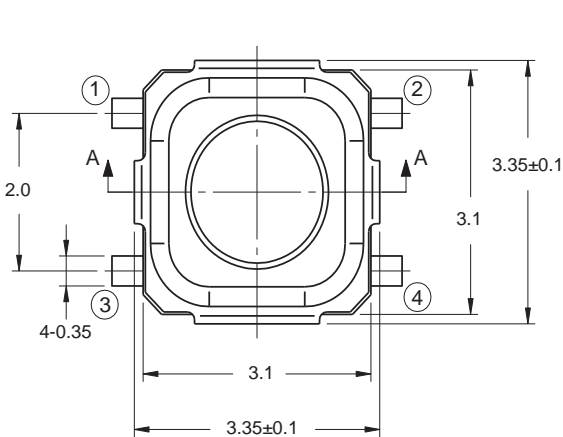
**OPERATING TEMPERATURE RANG:** -20°C to +70°C

Manufacturing specification would be accordance with WT0158

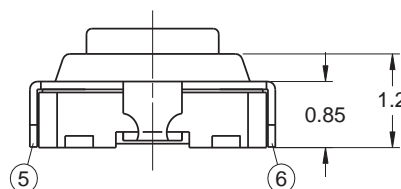
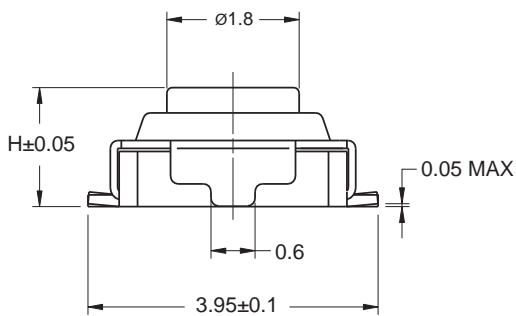
## PART NO.(P/N.)



CIRCUIT DIAGRAM



P.C.B LAND DIMENSION





## SPECIFICATIONS

**RATING:** DC 12V 50mA

**CONTACT RESISTANCE:** 100 mΩ MAX.

**CONTACT ARRANGEMENT:** 1 poles 1 throws

**TRAVEL:** 0.20±0.10 mm

**ACTUATING FORCE:** 100±50 gf

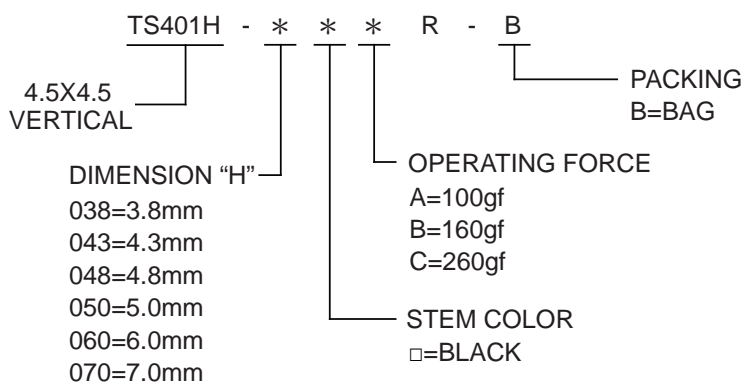
160±50 gf

260±80 gf

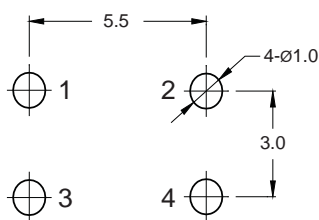
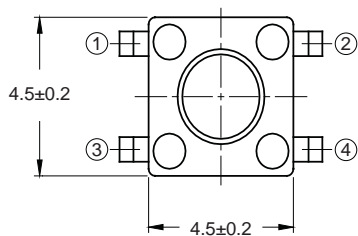
**OPERATING TEMPERATURE RANG:** -20°C to +70°C

**Manufacturing specification would be accordance with WT0158**

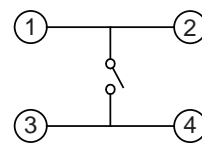
## PART NO.(P/N.)



TS401VH-070xR-B	7.0 mm
TS401VH-060xR-B	6.0 mm
TS401VH-050xR-B	5.0 mm
TS401VH-048xR-B	4.8 mm
TS401VH-043xR-B	4.3 mm
TS401VH-038xR-B	3.8 mm
<b>MODEL NO.</b>	<b>"H"</b>



P.C.B LAND DIMENSION



CIRCUIT DIAGRAM

